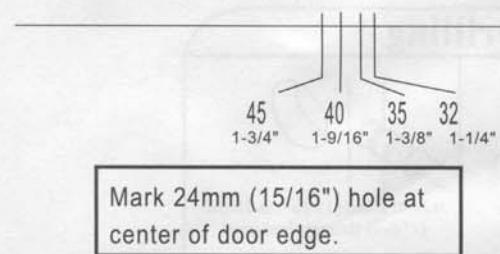
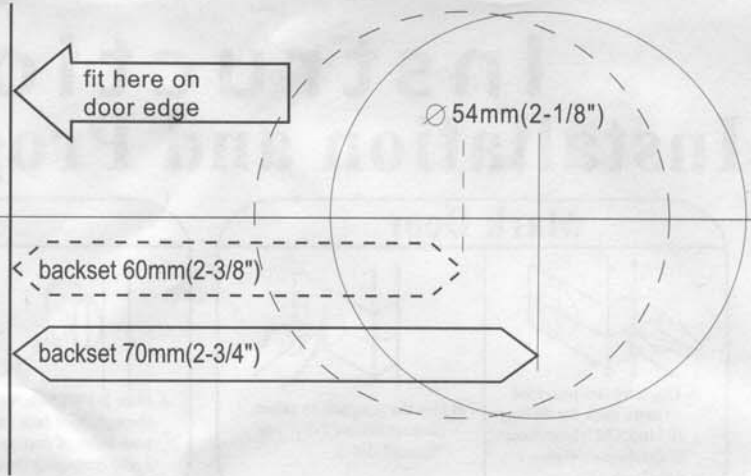


TEMPLATE



Mark 24mm (15/16") hole at center of door edge.



1. Open the battery cover, there are two buttons, labeled with "s" the set button and "c" the cancel buttons. use a small sharp object such as a pen or a nail to operate these buttons.
2. Press "s" the set button and hear one beep confirm tone, then press one remote control in front of the deadbolt to program. When heard 2 beep confirm tones, this remote control is programmed to the lock.
3. Repeat procedure #2 to program up to 30 different remote controls. A long beep tone will sound when the lock is programmed over 30 remote controls.
4. To cancel programmed remote controls, press the "c" cancel button and hear one confirm beep, then press a new remote control in front of the lock and hear 2 confirmed beep tone. This will erase all the remote controls previously programmed, leaving this new remote control the only one to operate the lock. Repeat procedure #2 to program, program additional remote controls to operate the lock.
5. All the commands must be done within 5 seconds after the initial one beep confirmation tone. The lock will not change any programming if fail to enter any new remote control within 5 seconds.
6. During operation, if heard 10 consecutive beep tone, means low battery level. Please replace batteries to make sure normal operation.
7. When hear 3 consecutive beep tones, it means the door latch is jam. Adjusting door to make sure a smooth operation.
8. Depend on the directions of the lock is on the door, 1 beep and 2 beeps tones accordingly with visual flashes notify the user the door is lock or unlock.

Warranty

Morning Industry Inc. Warranty
 Lifetime Warranty on Exterior Finish
 25 Years Mechanical Warranty
 1 Year Limited Electrical Warranty
 Morning Industry Inc. warrants to the original residential user of this product will be free from defects in materials and workmanship, under normal use, for 1 year from the date of purchase. User must provide a copy of original purchase receipt. This warranty Does Not Cover abused or misused products or products used in commercial applications. All mechanical components carry a limited warranty, for a period of 25 years from the date of purchase. The Finish of the exterior of this lock carries a limited warranty of the lifetime of the unit against deterioration due to normal weather conditions. This warranty does not apply to locks that have been improperly installed, modified, put to a use other than as designed, or subjected to acts of god (such as floods, lighting, earthquakes, ect.)
 This Warranty is limited to repairing, replacing or refunding the original purchase price of this locking only at Morning Industry Inc.'s sole discretion. Morning Industry Inc. will NOT be liable for the cost of installing, removing, nor reinstalling this product, nor direct, indirect, or consequential damage to persons or property resulting from the use of our product. Some states do not allow the exclusion or limitation of incidental or consequential damages, so the above exclusion may not apply to you. This warranty gives you specific legal rights and you may also have other rights that vary from state to state.
 To Implement this warranty, please enclose a copy of purchase receipt, day and night time telephone number, and a check or money order of \$10.00 for Shipping and Handling
 Please return the lock with above information with S+H Charge freight prepaid to:
 Morning Industry Inc.

