

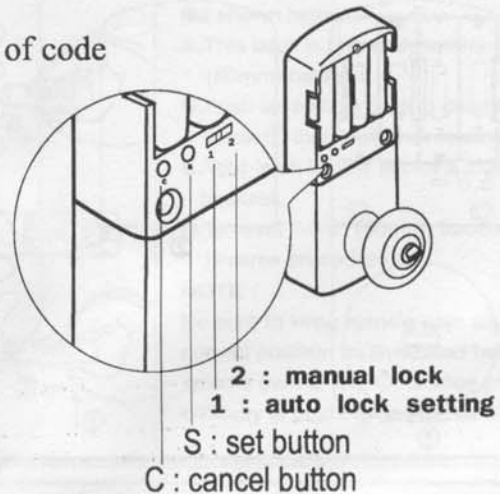
# Programming Instruction

# PAKK

1. Open the battery cover, find S, C buttons and a programming switch
2. Press the (S) set button and hear 1 beep
3. On keypad, punch in desired code from 2 digits up to 8 digits, then press the unlock button on keypad to enter this code
4. Engage lock by pressing the lock button on the keypad
5. Test the lock by pressing this code then unlock key
6. Repeat procedure 2 and 3 to program up to 6 different sets of code

## To Delete Or Erase A Code

1. Press the ( C ) cancel button in the battery module
2. Enter the code desired to delete, then press the unlock button, hear 2 confirmation beeps
3. Repeat 1 and 2 to delete other codes



## To Erase All Code Previously Programmed

Press the C (cancel button) and hold for 10 seconds then hear 2 confirmation beeps.

This reset the lock

**☀ Lock Function will NOT operate  
without any code preprogrammed**

## Auto Relock Function

Switch the function button to position (1), the unit auto relock in 10 seconds after every unlock entry.

Switch the function button to position (2), to deactivate the Auto Lock Function to Default setting is position (2)

## Warranty

Morning Industry Inc. Warranty  
Lifetime Warranty on Exterior Finish  
25 Years Mechanical Warranty  
1 Year Limited Electrical Warranty  
Morning Industry Inc. warrants to the original residential user of this product will be free from defects in materials and workmanship, under normal use, for 1 year from the date of purchase. User must provide a copy of original purchase receipt. This warranty Does Not Cover abused or misused products or products used in commercial applications. All mechanical components carry a limited warranty, for a period of 25 years from the date of purchase. The Finish of the exterior of this lock carries a limited warranty of the lifetime of the unit against deterioration due to normal weather conditions. This warranty does not apply to locks that have been improperly installed, modified, put to a use other than a designed, or subjected to acts of god (such as floods, lighting, earthquakes, ect.)  
This Warranty is limited to repairing, replacing or refunding the original purchase price of this locking only at Morning Industry Inc.'s sole discretion. Morning Industry Inc. will NOT be liable for the cost of installing, removing, nor reinstalling this product, nor direct, indirect, or consequential damage to persons or property resulting from the use of our product. Some states do not allow the exclusion or limitation of incidental or consequential damages, so the above exclusion may not apply to you. This warranty gives you specific legal rights and you may also have other rights that vary from state to state.  
To implement this warranty, please enclose a copy of purchase receipt, day and night time telephone number, and a check or money order of \$10.00 for Shipping and Handling  
Please return the lock with above information with S+H Charge freight prepaid to:

Morning Industry Inc.  
234 S. 5th Ave.  
La Puente, CA 91746

**CA Technology Inc.**  
[www.ca-tec.com](http://www.ca-tec.com)