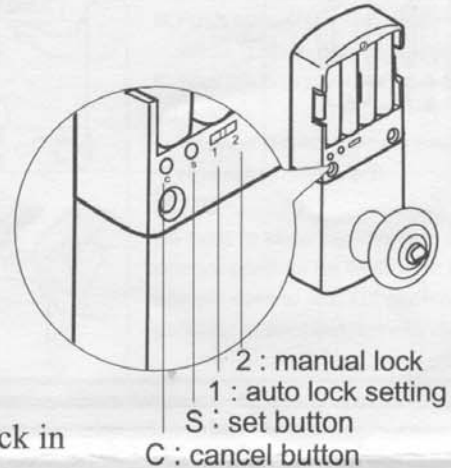


Programming Instruction

1. Press (S) set button, hear 1 beep, and then press one remote control in front of the lock. Hear 2 confirmation beeps to complete this programming
2. Repeat above procedure to program up to 30 different remote controls
3. To cancel programmed remote controls-Press the (C) cancel button, hear one beep, then press a new remote control in front of the lock and hear 2 confirmation beeps. This will erase **All Remote Controls** previously programmed , leaving this new remote control as the first and only remote control programmed.
4. Repeat Procedure 1 to add more remote into this lock
5. All command must be done within 5 seconds after the initial confirmation beep



Auto Relock Function

Switch the function button to position (1), the unit auto relock in 10 seconds after every unlock entry.

Switch the function button to position (2) to deactivate the Auto Lock Function

Factory setting is at position (2)

Warranty

Morning Industry Inc. Warranty
Lifetime Warranty on Exterior Finish
25 Years Mechanical Warranty
1 Year Limited Electrical Warranty

Morning Industry Inc. warrants to the original residential user of this product will be free from defects in materials and workmanship, under normal use, for 1 year from the date of purchase. User must provide a copy of original purchase receipt. This warranty Does Not Cover abused or misused products or products used in commercial applications. All mechanical components carry a limited warranty, for a period of 25 years from the date of purchase. The Finish of the exterior of this lock carries a limited warranty of the lifetime of the unit against deterioration due to normal weather conditions. This warranty does not apply to locks that have been improperly installed, modified, put to a use other than a designed, or subjected to acts of god (such as floods, lightning, earthquakes, ect.)

This Warranty is limited to repairing, replacing or refunding the original purchase price of this locking only at Morning Industry Inc.'s sole discretion. Morning Industry Inc. will NOT be liable for the cost of installing, removing, nor reinstalling this product, nor direct, indirect, or consequential damage to persons or property resulting from the use of our product. Some states do not allow the exclusion or limitation of incidental or consequential damages, so the above exclusion may not apply to you. This warranty gives you specific legal rights and you may also have other rights that vary from state to state.

To Implement this warranty, please enclose a copy of purchase receipt, day and night time telephone number, and a check or money order of \$10.00 for Shipping and Handling Please return the lock with above information with S+H Charge freight prepaid to:

Morning Industry Inc.
234 S. 5th Ave.
La Puente, CA 91746