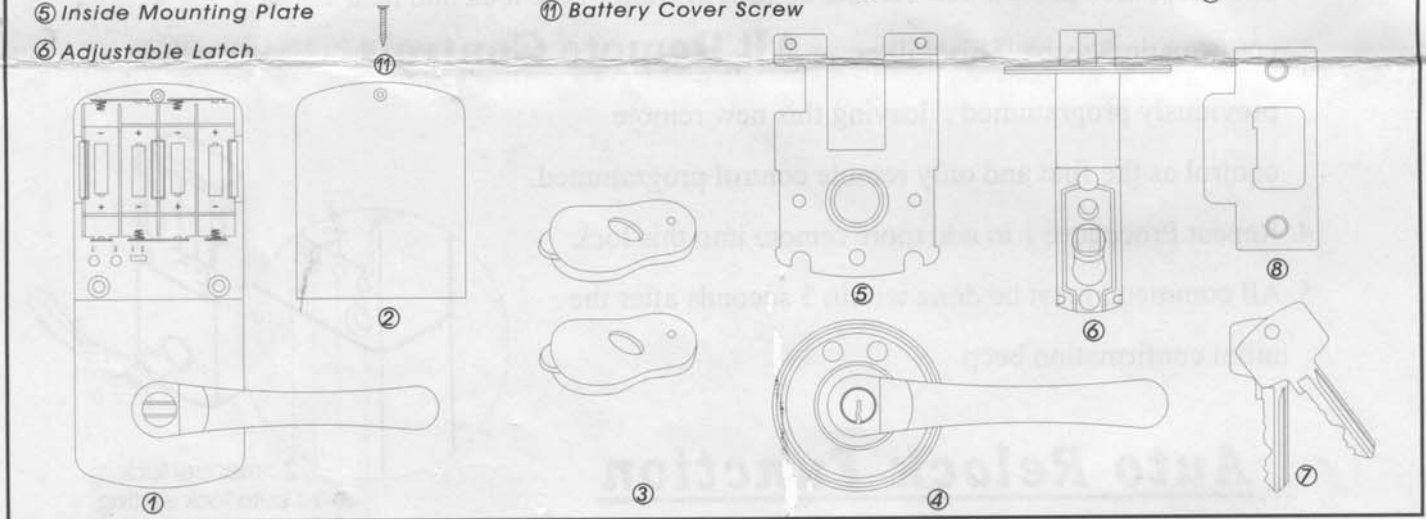
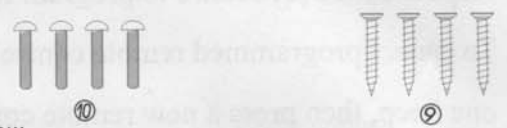


INSTALLATION AND PROGRAMMING INSTRUCTION

PARTS LIST

- ① Main Module / Inside Handle
- ② Battery Cover
- ③ Remote Controls
- ④ Exterior Handle
- ⑤ Inside Mounting Plate
- ⑥ Adjustable Latch

- ⑦ Keys For Manual Over Ride
- ⑧ Strike Plate
- ⑨ Wood Screws
- ⑩ Mounting Screws
- ⑪ Battery Cover Screw

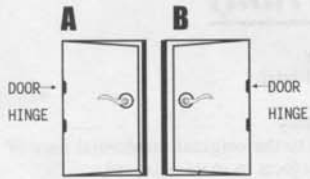


PREPARATION

DETERMINE HANDING OF YOUR DOOR

Stand at exterior side and face to your door.

- A. Your door is a left handed door if hinges were installed at your left hand.
- B. Your door is a right handed door if hinges were installed at your right hand.



(1) MAKE SURE THIS LOCK UNIT FITS THE DOOR TO BE INSTALLED.

(2) REPLACING AN EXSITING LOCK FOLLOW THE DIAGRAM BELOW

(3) NEW INSTALLATION ON NEW DOOR USE TAMPLATE ENCLOSED TO PREPARE DOOR.

1. REMOVE ALL COPONENTS OF OLD LOCK FROM THE DOOR.
2. FOLLOW PROCEDURE 6 AND 7 TO INSTALL BACKSET
3. INSTALL PARTS ④, ⑤, THEN CONNECT THE WIRING
4. INSTALL PARTS ① LAST
5. MAKE SURE THE FLAT DRIVER BAR AND THE THUMP TURN FIT CORRECTLY BEFORE TIGHTEN THE MOUNTING SCREW ⑩
6. TURN THE HANDLE TO MAKE SURE THE LATCH FUNCTION CORRECTLY

