

Step 8

OPERATION TESTS

GENERAL OPERATION TEST

- Install Battery Housing. Place Nylon Washer followed by Lever Handle on Outer Housing Assembly and tighten set screws with Allen Wrench. Lift inner Lever Handle up to lock Dead Bolt and press down to unlock (Figure 22).
- Lift outer Lever Handle up to lock. Rotate Lever Handle down to unlock and confirm opening function operates correctly (Figure 23).

EMERGENCY KEY TEST

Note: Emergency Key is for backup in case of electronic failure. Do not use as override key.

- Set lock in locked position. Confirm it cannot be opened from outside (Figure 23).
- Insert Emergency Key horizontally into hole of cam lock. Push in the Emergency Key into hole then rotate down to unlock (Figure 24).
- Rotate down outer Lever Handle to open. Remove inner Lever Handle if test is successful.

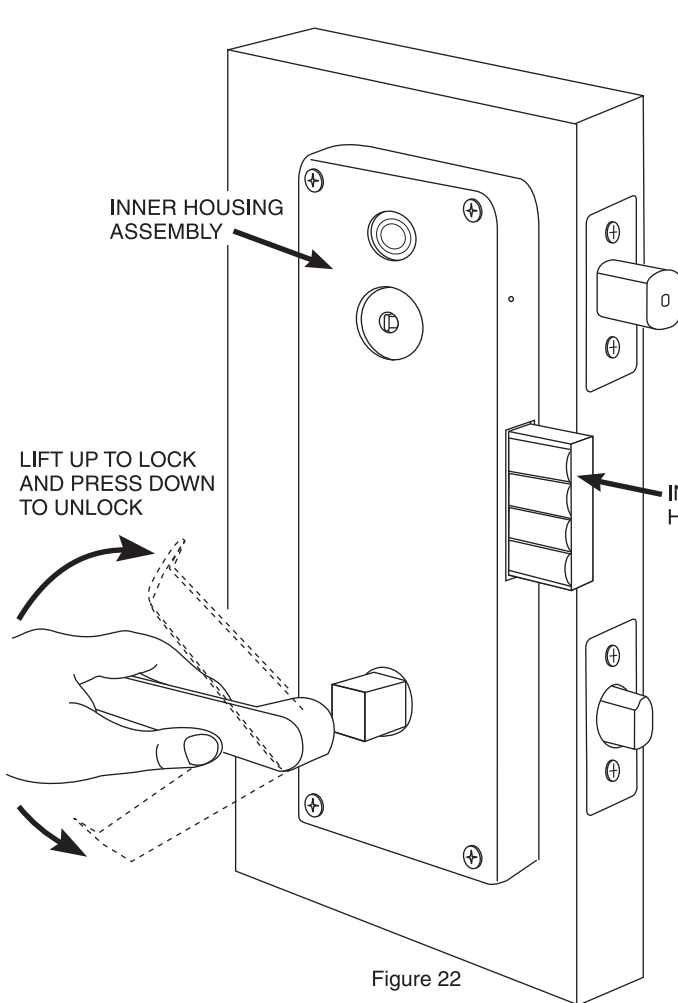


Figure 22

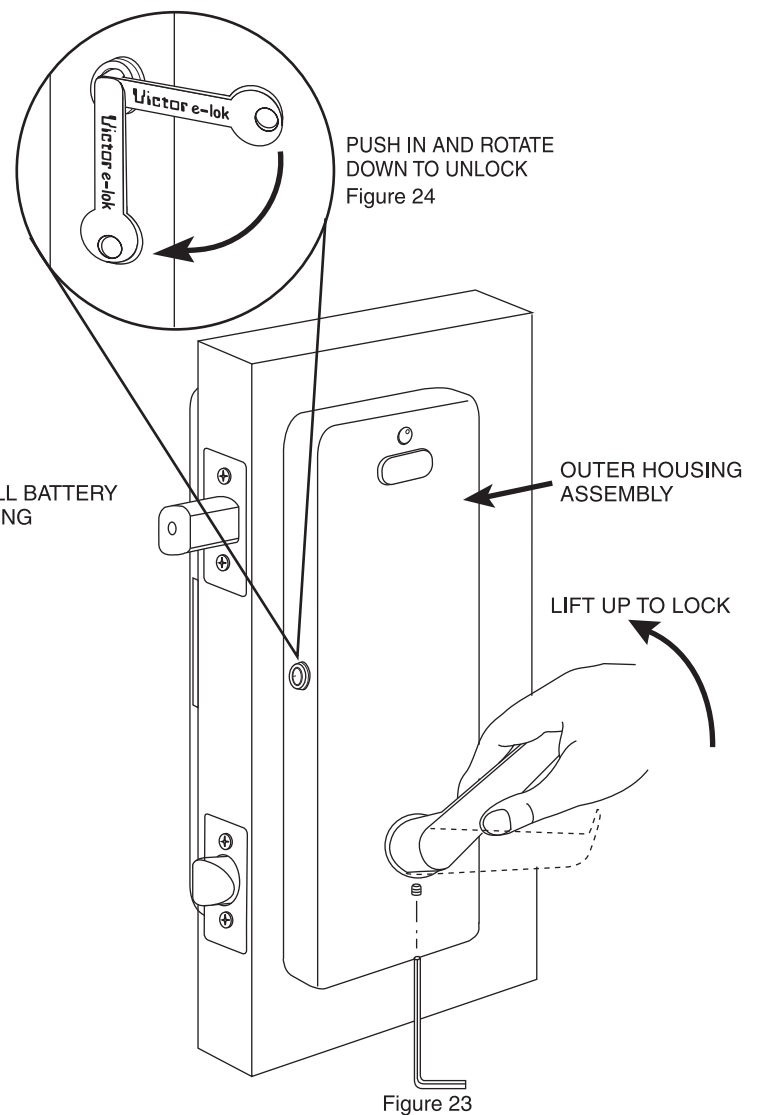


Figure 23