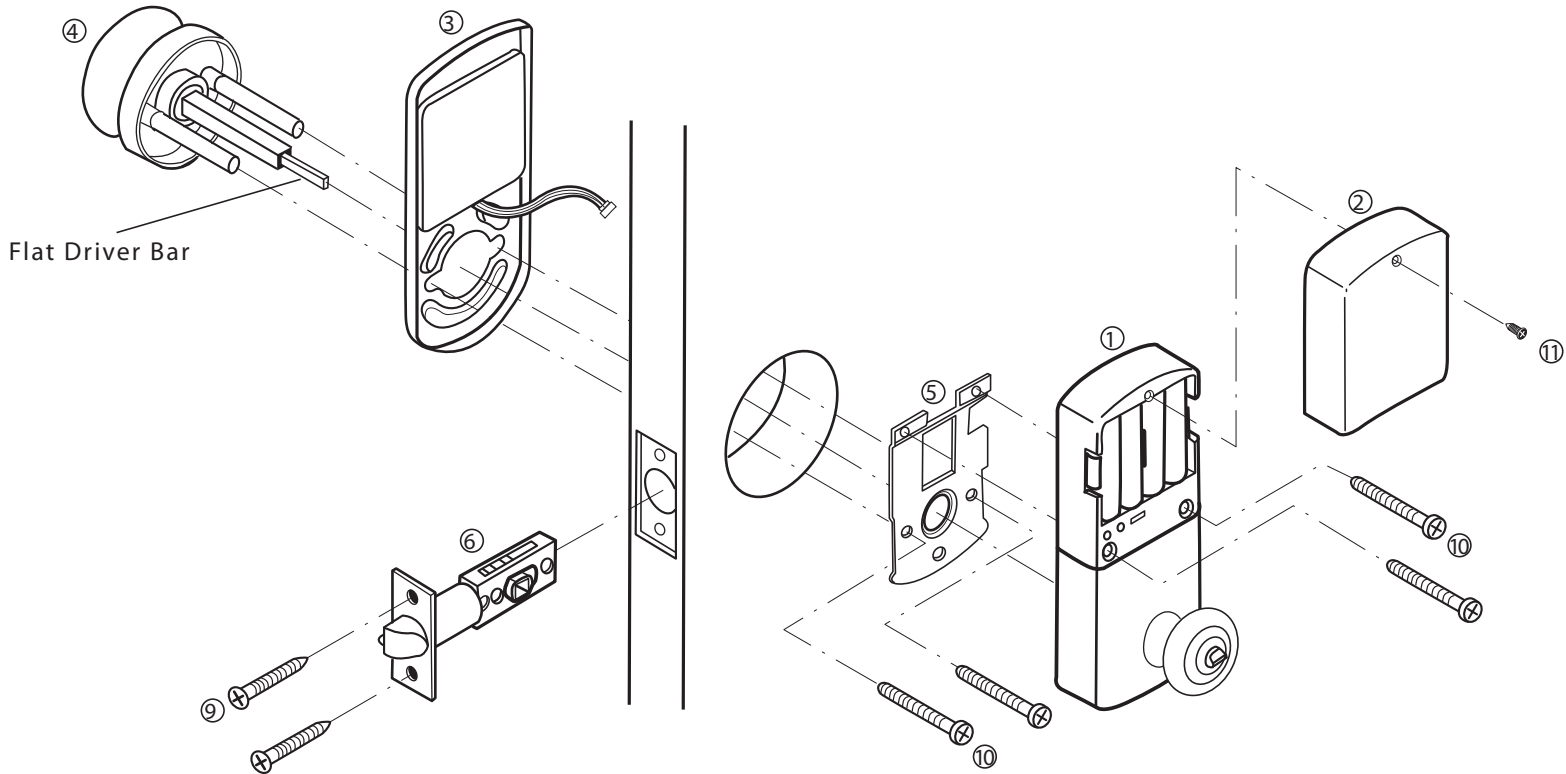


# Install Instruction

## Model No. PAKK-01

- (1) MAKE SURE THIS LOCK UNIT FITS THE DOOR ON WHICH IT IS TO BE INSTALLED.
- (2) FOR REPLACING AN EXSITING LOCK FOLLOW THE DIAGRAM BELOW.



1. REMOVE ALL COMPONENTS OF OLD LOCK FROM THE DOOR.
2. FOLLOW PROCEDURE 6 AND 7 TO INSTALL BACKSET.
3. INSTALL PARTS, ④, ③, ⑤ THEN CONNECT THE WIRING.
4. INSTALL PART ① LAST.
5. MAKE SURE THE FLAT DRIVER BAR AND THE THUMB TURN FIT CORRECTLY BEFORE TIGHTEN THE MOUNTING SCREW ⑩.
6. TURN THE HANDLE TO MAKE SURE THE LATCH FUNCTIONS CORRECTLY.



Security Hardware:  
Touchpad, Infrared Remote,  
Mechanical Door Locks

[www.ca-tec.com](http://www.ca-tec.com)

We make your life easy and safe

Tel. 604.451.5398 Fax. 604.677.5544