

Programming Instruction

Model No. PKF-01

✳ Lock Function will NOT operate without any code preprogrammed

To Program A Code

1. Open the battery cover, find S, C buttons and a programming switch.
2. Press the (S) set button and hear 1 beep.
3. On keypad, punch in desired code from 2 digits up to 8 digits, then press the unlock button on keypad to enter this code.
4. Engage lock by pressing the lock button on the keypad.
5. Test the lock by pressing this code then the unlock key.
6. Repeat procedure 2 and 3 to program up to 6 different sets of codes.

To Delete Or Erase A Code

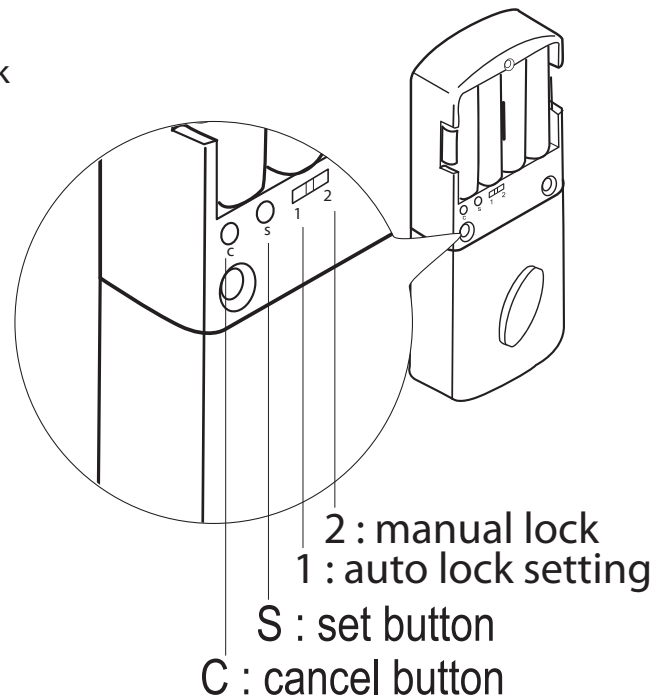
1. Press the (C) cancel button in the battery module
2. Enter the code desired to delete, then press the unlock button. You will hear 2 confirmation beeps.
3. Repeat 1 and 2 to delete other codes.

To Erase All Code Previously Programmed

Press the C (cancel button) and hold for 10 seconds, you will then hear 2 confirmation beeps.

Auto Relock Function

Not Available



Security Hardware:
Touchpad, Infrared Remote,
Mechanical Door Locks

www.ca-tec.com

We make your life easy and safe

Tel. 604.451.5398 Fax. 604.677.5544