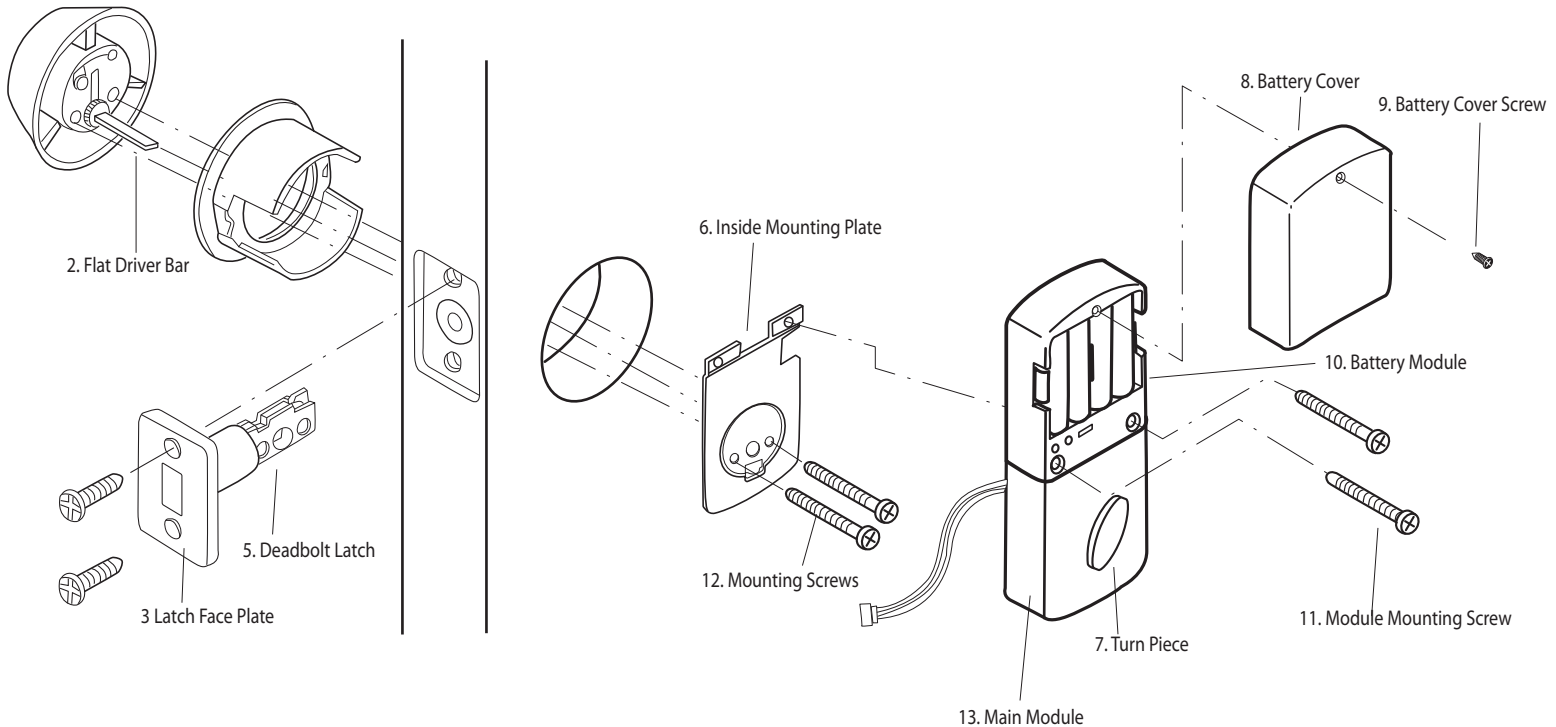


# Install Instruction

## Model No. RF-01

1. outside cylinder head



- A. Place the latch (#5) in an unlocked position. Turn the Turn Piece (#7) in an Unlock position.
- B. Install the outside cylinder head (#1), make sure the key is not inserted in the cylinder, turn the flat driver bar (#2) toward unlock position, then insert thru the cross-hole on the latch (#5) then connect to the turn piece(#7).
- C. Connect the wire under the deadbolt latch thru the hole.
- D. Align the Mounting Screws(#12) thru the inside mounting plate(#6), deadbolt latch (#5) and connect to the outside cylinder head (#1).  
Secure the mounting screws and test for the operation by connection the wires and attach the main module (#13).

**\*Deadbolt Latch Must Be Able To Operate Smoothly With Door Jamb, Strike Box, And Strike Plate, After Installation.**



Security Hardware:  
Touchpad, Infrared Remote,  
Mechanical Door Locks  
[www.ca-tec.com](http://www.ca-tec.com)  
We make your life easy and safe

Tel. 604.451.5398 Fax. 604.677.5544