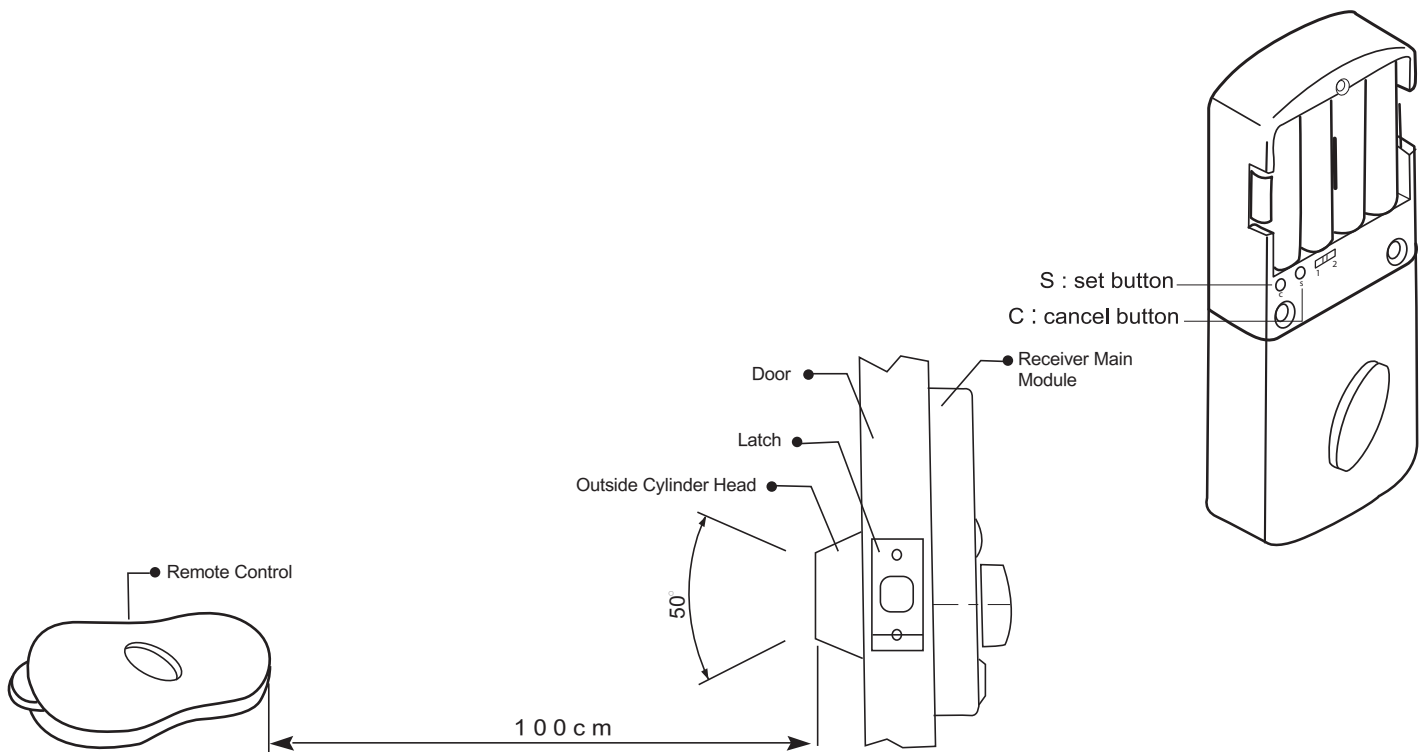


# Programming Instruction

## Model No. RF-01

1. Open the battery cover, there are two buttons, labeled with (S) the set button and (C) the cancel button. Use a small sharp object such as a pen or nail to operate these buttons.
2. Press (S), the set button and you will hear one beep confirmation tone, then press one remote control in front of the deadbolt to program. When you hear 2 beep confirmation tones, this remote control is programmed to the lock.
3. Repeat procedure #2 to program up to 30 different remote controls. A long beep tone will sound when the lock is programmed for over 30 remote controls.
4. To cancel programmed remote controls, press the (C) button and you will hear one confirmation beep, then press a new remote control in front of the lock and you will hear two confirmations beep tones. This will erase all the remote controls previously programmed, leaving this new remote control the only one to operate the lock. Repeat procedure # 2 to program additional remote controls to operate the lock.
5. All the commands must be done within 5 seconds after the initial one beep confirmation tone. The lock will not change any programming if you fail to enter any new remote control within 5 seconds.
6. During operation, 10 consecutive beep tones mean low battery level. Please replace batteries to make ensure normal operation.
7. When you hear 3 consecutive beep tones, it means the door latch is jammed. Adjust door for smooth operation.
8. Depend on the direction of the lock on the door, 1 beep or 2 beep tones with visual flashes notify the user the door is locked or unlocked.



Security Hardware:  
Touchpad, Infrared Remote,  
Mechanical Door Locks

[www.ca-tec.com](http://www.ca-tec.com)  
We make your life easy and safe

Tel. 604.451.5398 Fax. 604.677.5544